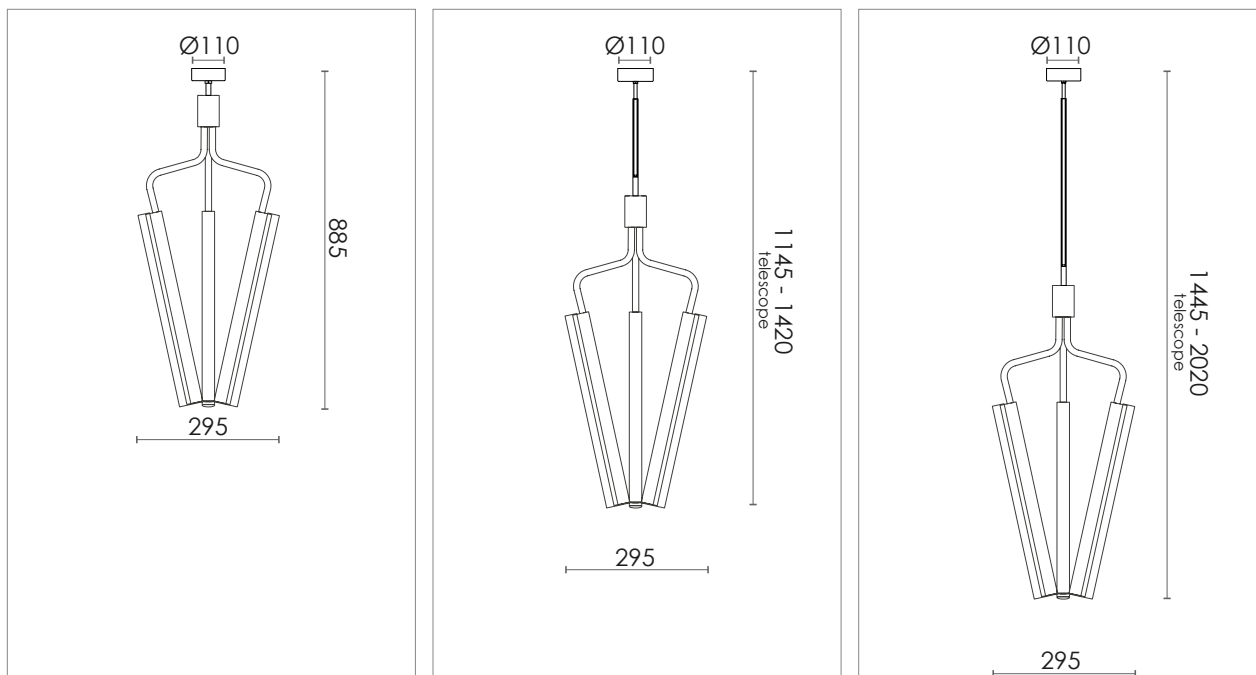


ANGEL 3 500 CHANDELIER



DESIGN SPECIFICATIONS

| | |
|------------------------|---|
| DIMENSIONS (mm) | W 295 x H 885 W 295 x H 1145-1420 W 295 x H 1445-2020 |
| WEIGHT (kg) | - / - / - |
| MATERIALS | THE LAMP IS MADE FROM CLEAR LACQURED BRASS, STEEL OR POWDER COATED STEEL. |
| CORD (mm) | NO |
| ENVIRONMENT | INDOOR |
| DESIGN BY | NICLAS HOFLIN |
| DESIGN YEAR | 2019 |

ELECTRICAL SPECIFICATIONS

| | |
|---------------------|--|
| SWITCH | NO |
| BULB HOLDER | S14S |
| LIGHT SOURCE | INCLUDED 3 X 7 W DIMMABLE LED - 2700 K |
| DIMMABLE | YES |
| MAX (W) | 21 W LED |
| VOLTAGE | 230 / 240 |
| CLASS | 1 |
| IP | 20 |

COLOURS

| | | | | |
|---|---------------------|--------------------------------|--------------------------------------|--------------------------------------|
|  | BLACK | H 885 ART.NO. 913151005 | H 1145-1420 ART.NO. 913152005 | H 1445-2020 ART.NO. 913153005 |
|  | BRASS | H 885 ART.NO. 913151001 | H 1145-1420 ART.NO. 913152001 | H 1445-2020 ART.NO. 913153001 |
|  | BRONZE-COLOR | H 885 ART.NO. 913151223 | H 1145-1420 ART.NO. 913152223 | H 1445-2020 ART.NO. 913153223 |
|  | STEEL | H 885 ART.NO. 913151500 | H 1145-1420 ART.NO. 913152500 | H 1445-2020 ART.NO. 913153500 |